



The Long Life Tracker
www.nabitrack.com

Device Datasheet

Document nr.: NABIRFSDSV2
Date: 2020.06.10

Key Features

- Motion, temperature, humidity and reed magnetic sensor
- Up to 10 m remote sensor
- Approx. 3 years battery life

Applications

- Temperature monitoring
- Motion sensing, hour meter
- Door opening (magnetic sensor)

RFS10 Remote Multi-Sensor



Overview

RFS10 remote multi sensor operates together with NaBi Connect devices: The RFS10 remote sensor transmits the sensory information to a NaBi Connect device along a short range (up to 10 m) radio interface. The NaBi Connect device connects directly to the internet along the Narrow-Band IoT network, transmitting the received sensory information to the General Track server. One NaBi Connect device can host up to 15 remote sensors.

The device configuration regarding sensor recording and data synchronisation intervals, and sensor based alarms can be configured and batch deployed to multiple devices in the General Track online system. The recorded data is available on the WEB interface or through REST API (see: https://www.nabitrack.com/documentation.html#/gt_api).



Features and functions

Flexible configuration options for different applications

Battery monitoring

Motion sensor:

Selectable sensitivity

Configurable event on motion, standstill or orientation changing

Vibration sensing: hour meter application, configurable events on operation or stopping

Temperature and relative humidity:

Regular temperature and humidity logs

Overtemperature or undertemperature alerts

Low or high humidity alerts

Low power, Sub-GHz RF sensor interface:

Up to 15 external sensors can be used. The distance between the remote sensor and the NaBi Connect can be maximum 10 meters.

Sensor characteristics

Accelerometer:

Static orientation detection	Adjustable event trigger: 10°..170°, resolution: 1°
Motion detection threshold	Adjustable: 0.063..5 G, resolution: 0.063 G
Maximum logged acceleration	±12.7 m/s ²
Resolution	0.1 m/s ²

Temperature sensor:

Resolution	0.1 °C
Accuracy	±0.3 °C
Temperature range	-40..85 °C

Relative humidity sensor:

Resolution	1 %
Accuracy	±3 % (at 20-80%)
Range	0-100 %RH

Magnetic sensor:

Pull-In magnetic field	1.2-2.1 mT
------------------------	------------

(Designed for door opening sensing.)

Light sensor:

Up on request, please contact us: info@nabitrack.com

Pushbutton function

Pairing RFS10 to NaBi Connect: First, enable pairing on web, then press button on the NaBi Connect. Then press the button on RFS10 also for more than 5 seconds for start pairing.

LED functions

In pairing mode (see pushbutton function), RED LED blinks frequently (3-5 blink/sec).

In normal operation, LED blinks at every communication:

LED color is GREEN if communication is successful,
RED if communication is unsuccessful (not acknowledged by NaBi Connect).

Environmental characteristics

Maximum vibration	±5 G
Operating ambient temperature	-40..+85 °C
Storage temperature	-40..+85 °C

Replaceable battery (included)

Battery type	2 pcs CR2032 Lithium Battery Only
Battery voltage	3 V
Nominal capacity	2x210 mAh

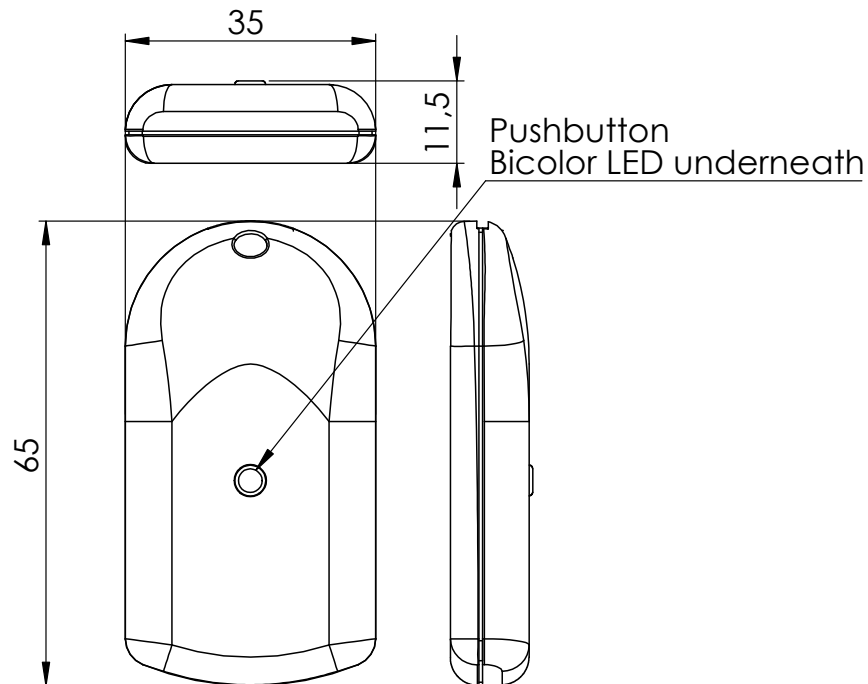
Approvals

CE in progress
RoHS, PbFree

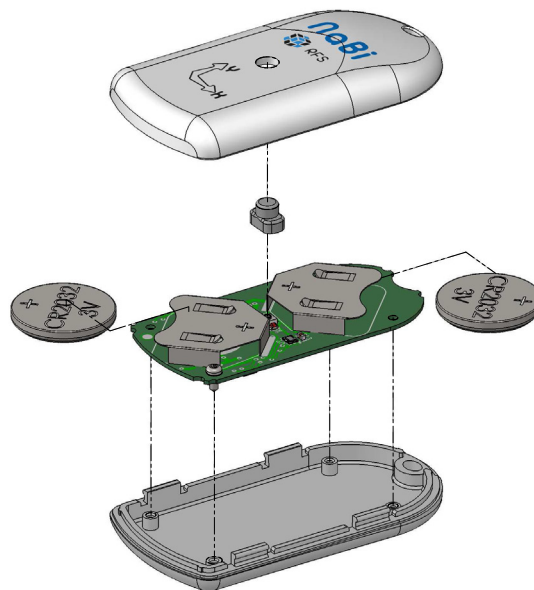


Mechanical dimensions

Size (L x W x H) 66 x 35 x 11.5 mm
Weight, incl. battery 20 g



Battery replacement



Disclaimer

© Copyright, General Mechatronics Ltd., Budapest, Hungary. All rights reserved. The text and pictures, in this paper are all subject to copyright and other intellectual property protection. The document may also contain trademarks to which copyright is attributable to third parties. Reproduction or transmission, in whole or in part, of any material contained within this paper is prohibited, except if the source of the material is clearly stated.

The authors make no representations or warranties with respect to the accuracy or completeness of the contents of this document and reserves the right to make changes to specifications and product descriptions at any time without notice.

For more information contact: info@nabitrack.com